

## Column Measurement Form

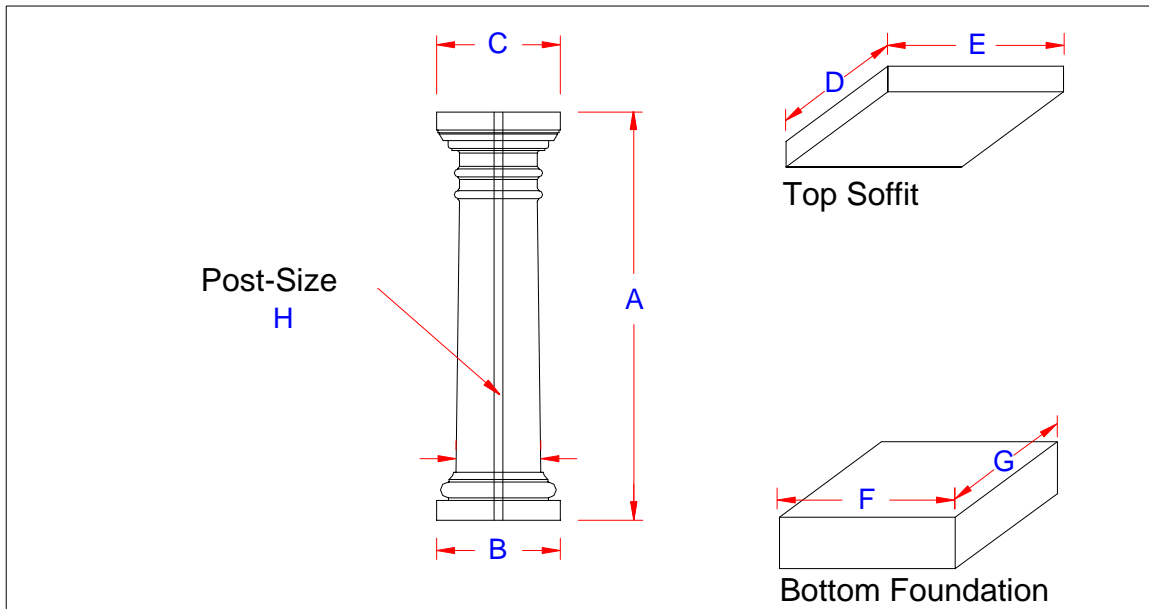
Job Name: \_\_\_\_\_

Phase: \_\_\_\_\_

Lot: \_\_\_\_\_

Style: \_\_\_\_\_

A = Total Height  
B = Base  
C = Capital  
D = Soffit  
E = Soffit  
F = Foundation  
G = Foundation  
H = Post



DIMENSIONS	
A	
B	
C	
D	
E	
F	
G	
H	

Submitted By: \_\_\_\_\_

Date: \_\_\_\_\_